

# Butterfly Valve



## General Specifications:

All section shut-off and main line isolation valves shall be an Amico Alert-1 Series.

The valve shall be pressure rated to 250 psi, vacuum to 27" Mercury and provide bubble tight shutoff at full pressure rating.

Valves shall be operated by a lever-type handle requiring only a quarter turn from a fully open position to a fully closed position.

Each valve assembly shall be washed and degreased for medical gas service. Pipe stub extensions shall be capped at both ends. The valve shall be supplied in a sealed plastic bag to prevent contamination prior to installation.

Amico products comply with NFPA-99.

## Features:

- Streamlined spherical disc with high flow capacity
- High strength stem materials with one-piece through-disc design
- Ductile iron body able to withstand rough handling
- Cleaned for medical gas service
- Available in sizes 2", 2 1/2", 3", 4", 5", 6"
- Available in Lug or Wafer type

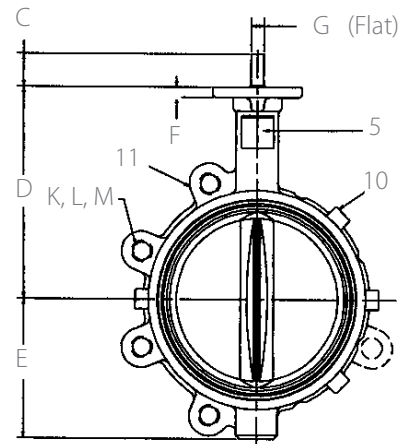
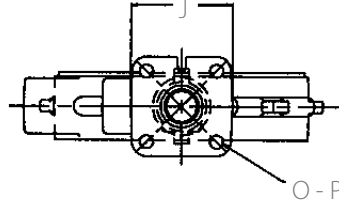
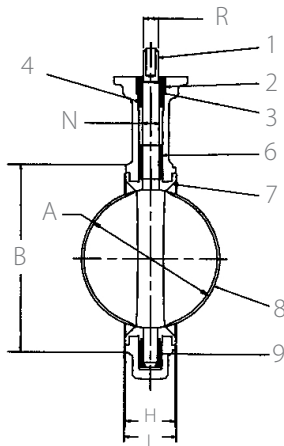


**LD 3000**  
Lug Style  
EPDM Liner and Aluminum  
Bronze Disc



**WD 3000**  
Wafer Style  
EPDM Liner and Aluminum  
Bronze Disc

# Technical Specifications



DIMENSIONS

In.	Mm.	A	B	C	D	E	F	GFlat	Metal Rubber H	I	J Square	N Dia.
2	50	2.53	4.00	1.25	5.38	2.88	0.38	0.312	1.688	1.812	3.25	0.500
2.5	65	2.90	4.09	1.25	5.88	3.27	0.38	0.370	1.812	1.938	3.25	0.562
3	80	3.15	5.12	1.25	6.12	3.40	0.38	0.370	1.812	1.938	3.25	0.562
4	100	4.09	6.12	1.25	6.88	4.00	0.38	0.403	2.062	2.188	3.25	0.625
5	125	5.13	7.25	1.25	7.38	4.75	0.38	0.496	2.188	2.312	3.25	0.750
6	150	6.13	8.25	1.25	8.00	5.29	0.38	0.496	2.188	2.312	3.25	0.750

MATERIAL LIST

Part	Specification
1. Stem	Stainless Steel ASTM A582 Type 416
2. Collar Bushing	Brass ASTM B16
3. Stem Seal	EPDM Rubber
4. Body Seal	EPDM Rubber
5. Nameplate	Aluminum
6. Upper Bushing	Copper CDA 122
7. Liner	EPDM Rubber
8. Disc	Alum. Brz. ASTM B148 Alloy 954/955
9. Lower Bushing	Copper CDA 122
10. Body Wafer	Ductile Iron ASTM A536
11. Body Lug	Ductile Iron ASTM A536

## Model Numbers

Replace XX with the Following to Indicate Valve Size(s) Required:

- 2" = 20
- 2-1/2" = 25
- 3" = 30
- 4" = 40
- 5" = 50
- 6" = 60

VV-BUTFLY-XX(L)

Indicate an "L" if Lug Style is Required